



MWTM

Medium-Walled Heat-Shrinkable Tubing

MWTM heat-shrinkable tubing is made from high performance, X linked polyolefin for general use in the telecommunications industry. It is available uncoated for use as an electrical insulator or with a co-extruded, hotmelt adhesive where high mechanical and sealing performance is required.

When heated with a standard gas torch, or similar heat source, the tubing shrinks to follow the shape of the object to be protected. The hotmelt adhesive flows to fill any cavities or uneven surfaces.

MWTM tubing is particularly flexible in use and installation due to its high shrink ratio. Various diameters and lengths are available as standard product as indicated in the sizing chart.

Special Features

- Simple and rapid installation
- Outstanding adhesion of coated sleeve to metals and plastics.
- Good resistance to weather and chemicals including ultraviolet rays and alkaline soil.
- Economical to stock. High shrinkratio limits number of different sizes required.
- Unlimited storage period.

Choice of Sizes



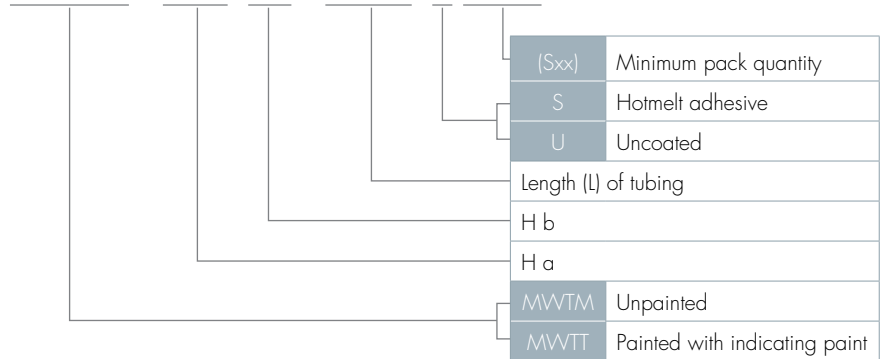
Size	H	
	a (min) mm	b (max) mm
10/3	10	3
16/5	16	5
25/8	25	8
35/12	35	12
50/16	50	16
63/19	63	19
75/22	75	22
85/25	85	25
95/29	95	29
115/34	115	34
140/42	140	42
160/50	160	50
180/60	180	60

Standard lengths in mm:

- 250 500
- 750 1000
- 1500

Ordering Example

MWTM - 115/34 - 1500/S (Sxx)



Notes

- 1 Dimensions
- a = as supplied
- b = after unrestricted recovery
- Reduction in length after unrestricted recovery: -15% max.



www.commscope.com

Visit our website or contact your local CommScope representative for more information.

© 2016 CommScope, Inc. All rights reserved.

All trademarks identified by ® or ™ are registered trademarks or trademarks, respectively, of CommScope, Inc.

This document is for planning purposes only and is not intended to modify or supplement any specifications or warranties relating to CommScope products or services.

PS-322682-EU (02/16) [Revised from TC-110-DS]