

Figure-8 cables
with steel messengers



Description

These anchoring clamps are made of one opened conical body, a pair of metallic jaws and a flexible bail. All parts are secured together to prevent any loss of parts.

Installation procedures

- Secure the clamp to the pole hardware by passing the free end of the bail into the bracket or the hook.
- Position the jaws on the cable messenger without stripping it nor separating it from the cable.
- Hand push the jaws into the clamp body to start the gripping into the messenger insulation.
- When the cable is brought to its stringing tension the jaws move forward into the clamp body, cut through the outer sheath to grip directly onto the steel core wires.

Advantages

- **Easy**
Telenco anchoring clamps installation procedures are basic, which reduces possible misuse or risks of injuries during installation. Because this technology is so easy to use it can be quickly introduced with installation teams at no training cost and without radically changing other working practices.
- **Quick**
By using Telenco anchoring clamps you can cut down installation times to just few seconds. Just forget the time usually spent to prepare the cable (separation and stripping of the messenger) and the use of tools like spanners, knives, cable strippers,...
- **Safe**
No cutting tools are required when using Telenco clamps to secure the cables, thus reducing the risks of injuries for the linemen, of faulty installations and of damage to the cables. Also there is no need to cut the messenger, which means its electrical continuity is preserved.
- **Reliable**
Tests carried out in laboratories have proved that Telenco clamps offer a great protection of figure-8 cables against wind induced vibrations, thus improving the reliability of aerial telecom networks.
- **Savings**
In installation time, training time, products, maintenance...



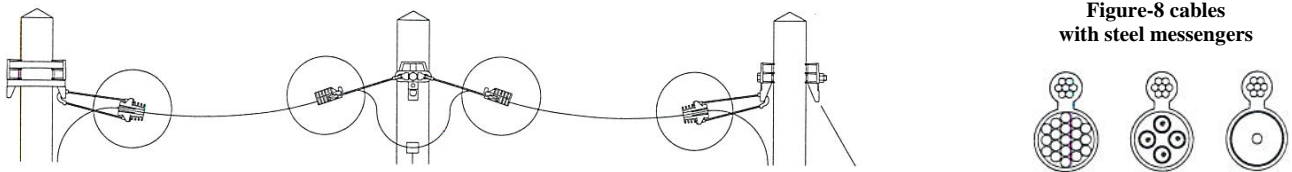
AC6 140



AC7 200







AC10 260



Clamps range

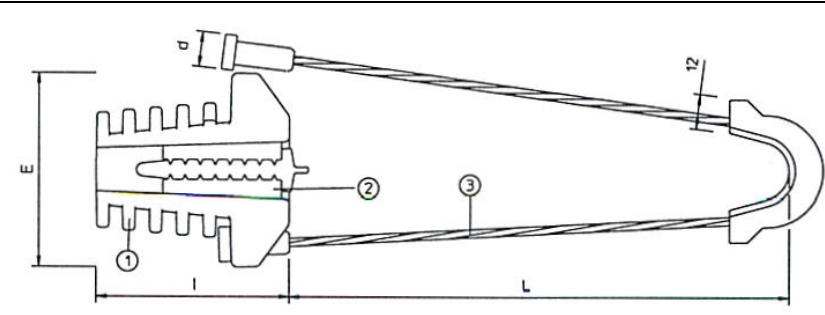
The anchoring clamps AC6, AC7 and AC10 allow an easy and quick securing of figure-8 cables with steel messengers by cutting through the outer sheath and gripping directly onto the messenger core wires, whatever the quality of the insulation is.

Warning : These clamps can not be used for anchoring application of figure-8 cables with AAA or dielectric messenger. In this case use our range of anchoring clamp fitted out with plastic jaws.

Anchoring clamp 	Figure-8 cable with steel messenger			
	Copper pairs 	Fibre optic 	CATV 	
Clamp reference	Messenger diameter over insulation		Cable stringing tension*	
	min.	max.	min.	max.
AC6 140	3 mm 0.12 in	6 mm 0.24 in	40 daN 90 lbs	100 daN 220 lbs
AC7 200	3 mm 0.12 in	7 mm 0.28 in	60 daN 140 lbs	280 daN 620 lbs
AC10 260	6 mm 0.24 in	10 mm 0.40 in	200 daN 440 lbs	500 daN 1200 lbs

* A 3 safety factor is taken into account, and the clamps can withstand three times the maximum stringing tensions indicated in this table (tests carried out on referenced cables).

Characteristics

	Dimensions (mm)				
	Reference	L*	l	E	d
	AC6 140	140	55	53	11
	AC7 200	200	65	66	12
	AC10 260	260	80	73	12

* : Standard lengths. Other lengths possible in case of major cable bending radii (please consult).

Clamp reference	Materials			Weight kg lbs	Packaging unit
	Body (1)	Jaws (2)	Bail (3)		
AC6 140	Thermoplastic	Zinc alloy	Stainless steel	0,090 – 0.20	100 pieces
AC7 200	Aluminium alloy			0,162 – 0.36	50 pieces
AC10 260	alloy			0,300 – 0.67	50 pieces